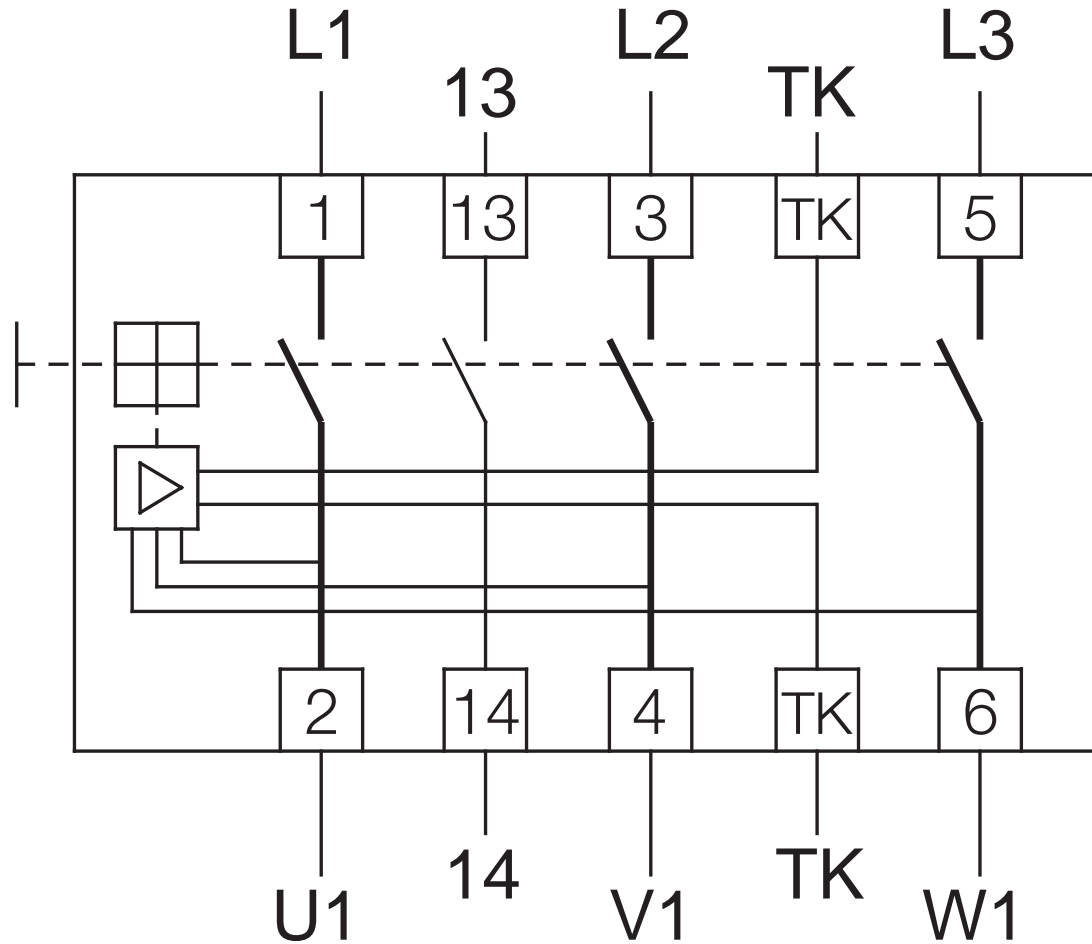


MD



13-14  
Hilfskontakt  
Auxillary contact  
Contact auxiliaire