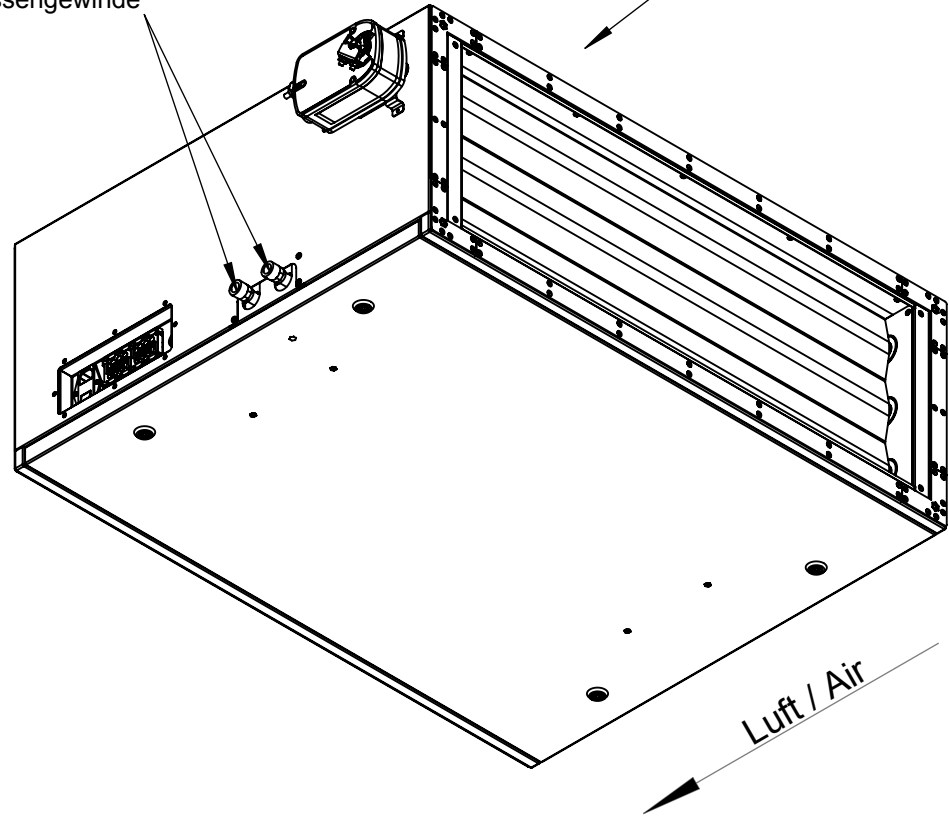
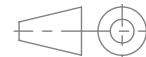


Anschluss 3/4"  
Aussengewinde

Kanal/Duct  
900/300



ruck Ventilatoren  
Max-Planck-Str. 5  
D-97944 Boxberg



1:20 A4 mm

Protection Mark  
according to ISO16016

General tolerances  
DIN ISO 2768-c

**SL09030E2J2010**

Drawn: p.guti  
Created: d.hancu  
Changed:

15.03.16  
04.02.16

**136266 00**